

Data Receiving Module WMF-R07

Telecommunication component

FEATURES

1. Light weight and thin type.
2. 5V supply voltage.
3. Low current consumption 6mA (typ.).
4. Transmission rate 1200 BPS.
5. A set of MITSUMI's transmitting module (AFW-J23 model) is also available.
6. Parts have been reduced to a large extent by using original IC.
7. Applicable over a wide temperature range (-30~+80°C) with high sensitivity.



SPECIFICATIONS

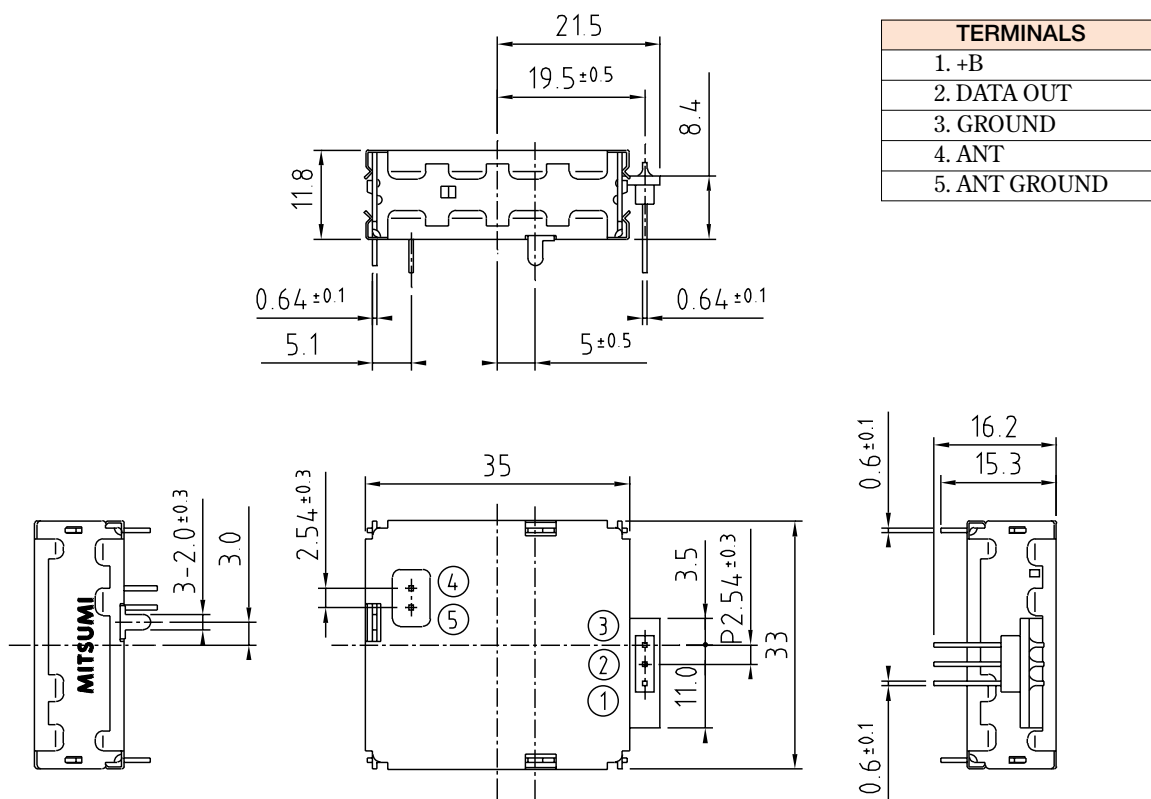
Item	Specifications				Remarks
	min.	typ.	max.	unit	
Receiving Frequency	309.680	309.700	309.720	MHz	In case of *1t = 500μs
Frequency Response	min. max.	100	600	Hz	Condition *1 will apply
Sensitivity	-9	0	3	dBμ	PN9 Measurement at 600bps.
Image Rejection		35		dB	
Spurious Response	35			dB	
Freq. Drift vs. Ambient Temp. *A	-20	0	+20	kHz	
Supply Voltage	4.5	5.0	5.5	V	
Current Consumption		6		mA	
(Special Item)					
Withstanding Discharge	10			kV	Plus and minus electric discharges shall be performed ten times respectively after the rubber sheet has been placed on the steel plate and the hot pin has been inserted into the phonojack on the module (capacity : 200pF)

*A Condition 20±25°C

*1 Assuming the receiver is given 30dBμ at a deviation of 40kHz DEV having a S.S.G. deviating signal of t0, the cycle of the receiver shall meet the requirements, t1 ≤ t0×0.9 and t2 ≥ t0×1.1.



DIMENSIONS



Unit : mm
General tolerance : ±1