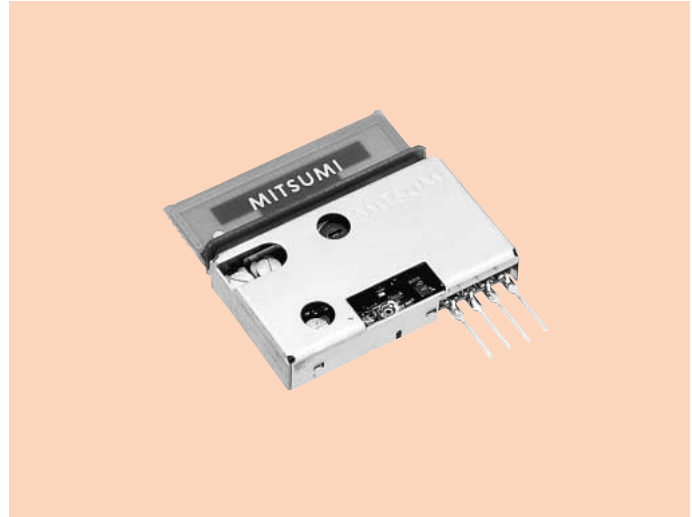


Data Transmitting Module AFW-J23

Telecommunication component

FEATURES

1. Light weight and thin type.
2. 3V supply voltage.
3. 310MHz band use. Can be catching electronic weak wave. (FSK system)
4. Low current consumption 6mA (typ.).
5. A set of MITSUMI's receiving module (WMF-R07 model) is also available.

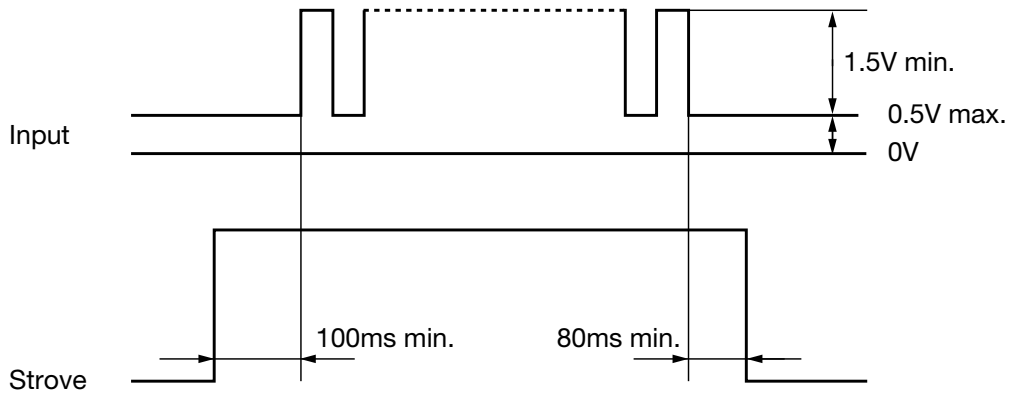


SPECIFICATIONS

Item	Specifications				Remarks
	min.	typ.	max.	unit	
Transmitting Frequency	309.690	309.700	309.705	MHz	For input conditions refer to *1
Transmitting Power			54	dBμ/m	3-meter system is adopted.
Frequency Response	min.	30		Hz	For input conditions refer to *2
	max.		8000		
Deviation	30	40	60	kHz	For input conditions refer to *1
Freq. Drift vs. Ambient Temp. *A		±10	±25	kHz	
Supply Voltage	2.5	3.0	3.5	V	
Current Consumption	4	7	10	mA	at 3.0V

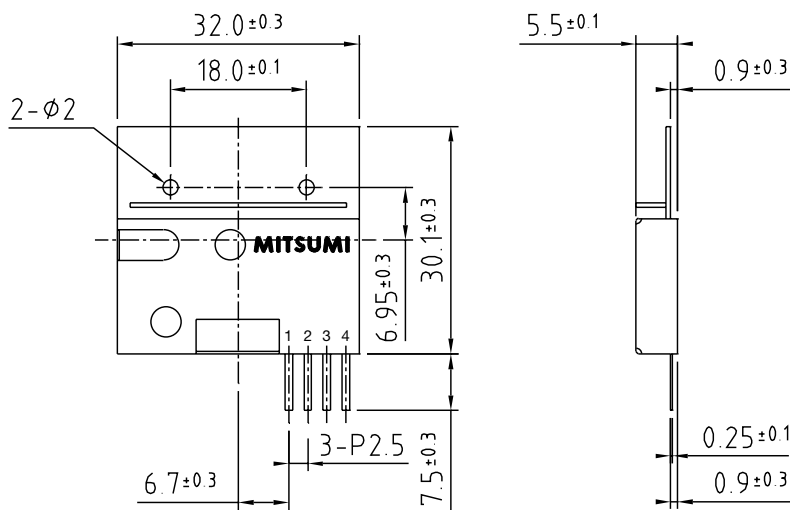
*A Condition 20±25°C

*1 Input conditions



*2 Frequency the deviation value of which shall reach 70% of the measured value of deviation as shown above in the electrical specifications when the frequency is changed according to the input conditions *1.

DIMENSIONS



TERMINALS
1. GND
2. + (3V)
3. STROBE
4. DATA INPUT

Unit : mm
General tolerance : ±0.3